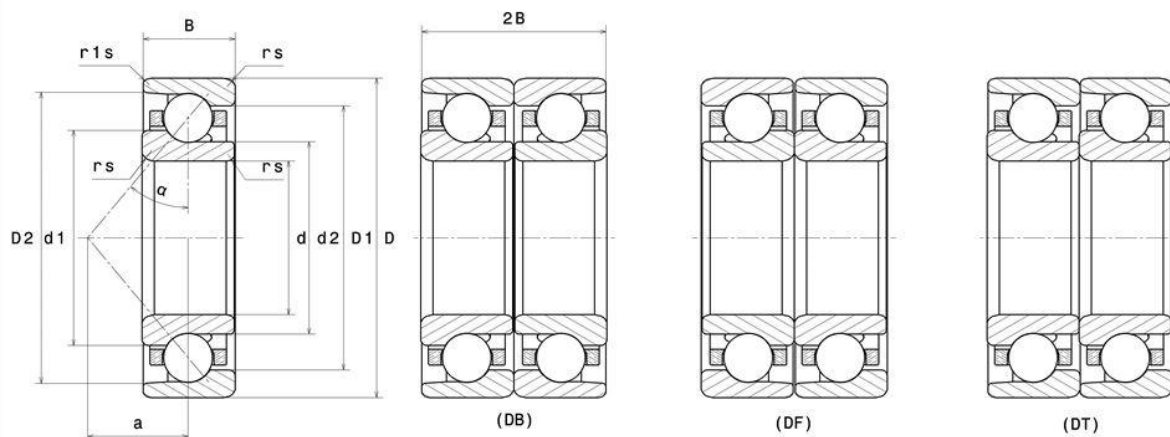


Matched Pair Angular Contact Ball Bearings



TEDIN supplies matched pair angular contact ball bearings with 2, 3, and 4 single bearing combinations. The combinations available for the fixed end of spindles are usually 2 rows (DB), 3 rows (DBD), and 4 rows (DBB) sets. Matched pair bearings are manufactured as sets, so when they are mounted adjacent to each other, a given preload is automatically obtained.



DB matched Pair: Back-to-back Arrangement

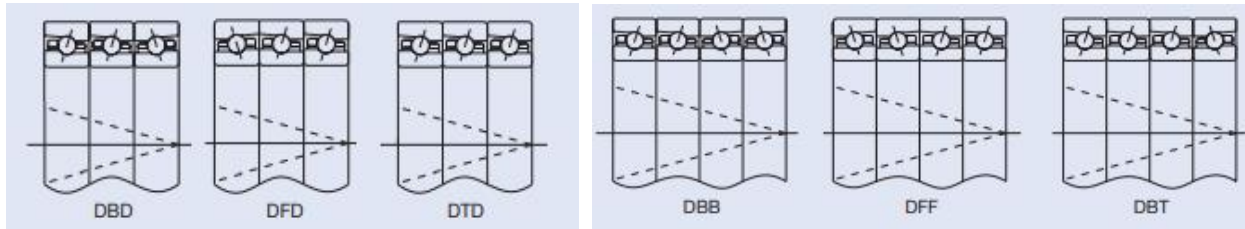
Axial loads in both directions and radial loads can be carried. Since the distance between the effective load centers is large, this type is suitable if moments are applied. However, if accuracy of housing is not enough and there is a misalignment in the spindle, internal loads of bearings could be large enough to possibly cause premature failure due to greater moment stiffness.

DF matched pair: Face-to-face Arrangement

Compared with the DB type, the distance between the effective load centers is small, so the capacity to carry moments is inferior to the DB type. On the other hand, this type is suitable for using with housings that have less accuracy or larger shaft deflections due to low bending stiffness of shaft.

DT matched pair: Tandem Arrangement

Axial loads in one direction and radial loads can be carried. Since axial stiffness of this type is twice the value of a single row type, this arrangement is used when the axial load in one direction is heavy.



DBD matched pair: 3 rows Arrangement

Axial loads in both directions and radial loads can be carried. However, the preload distribution to each bearing is not equal, and preload on the counter side (single side) is twice that of other side. Consequently, this type is unsuitable for high speed operation because of the large increase of internal load of the single side which could lead to bearing failure.

DBB matched pair: 4 rows Arrangement

Axial loads in both directions and radial loads can be carried. In conditions that have the same axial clearance as DB arrangement, preload and stiffness are twice that of the DB arrangement. Also, the permissible axial load of a 4 row arrangement is larger than that of a DB arrangement.

Universal matched pair:

Tedin supplies universal matched pair angular contact ball bearings that have the same amount of stand out on both the front and back face. This means that when bearings that have the same reference number are combined, they have the specified amount for each standard preload.

For universal combination bearings, the "V" combination marks on the outer diameter surface of outer ring prevent "direction1" mistakes, ensure correct matching when they are mounted, and indicate the direction of the contact angle.

Type Number	Old Number	Dimensions (mm)						Basic Load Rating (KN)		Limit Speed (r/min)		Weight (KG)
		d	D	B	Rsmin	R1smin	a	Dynamic	Static	Grease	Oil	
71930C	1036930	150	210	28	2	1	38	113	131	2600	3400	2.8
71930AC	1046930	150	210	28	2	1	56	107	126	2600	3400	2.8
7030C	36130	150	225	35	2.1	1	43	155	171	2400	3200	4.5
7030AC	46130	150	225	35	2.1	1	62	147	162	2400	3200	4.5
7030B	66130	150	225	35	2.1	1.1	96	107	119	2400	3200	4.5
7230AC	46230	150	270	45	3	1.1	71	190	270	2000	2600	12
B7230AC	146230	150	270	45	3	1.1	71	190	270	2000	2600	12
7230B	66230	150	270	45	3	1.1	111	176	202	2000	2600	12
7330AC	46330	150	320	65	4	1.5	87	280	430	1800	2400	26
7330B	66330	150	320	65	4	1.5	131	245	380	1800	2400	26



LUOYANG TEDIN BEARING CO., LTD.

Tel: 0086-136-63889399;

Email: jenny.zhao@tedin-bearing.com;

Homepage: www.tedin-bearing.com;

71932C	1036932	160	220	28	2	1	40	117	144	2400	3200	2.9
71932AC	1046932	160	220	28	2	1	58	112	138	2400	3200	2.9
7032C	36132	160	240	38	2.1	1	46	176	195	2200	3000	6
7032AC	46132	160	240	38	2.1	1	66	164	184	2200	3000	6
B7032AC	146132	160	240	38	2.1	1	66	164	184	2200	3000	6
7032B	66132	160	240	38	2.1	1.1	103	129	150	2200	3000	6
7232C	36232	160	290	48	3	1.1	54	200	300	1800	2400	14
7232AC	46232	160	290	48	3	1.1	76	190	280	1800	2400	14
7232B	66232	160	290	18	3	1.1	118	180	215	1800	2400	14
7332B	66332	160	340	68	4	1.5	139	260	400	1700	2200	32
71934C	1036934	170	230	28	2	1	41	120	150	2200	3000	3
71934AC	1046934	170	230	28	2	1	61	112	145	2200	3000	3
7034C	36134	170	260	42	2.1	1.1	50	191	221	2200	2800	8.5
7034AC	46134	170	260	42	2.1	1.1	71	180	210	2200	2800	8.5
7034B	66134	170	260	42	2.1	1.1	111	155	185	2200	2800	8.5
7234C	36234	170	310	52	4	1.5	58	250	300	1800	2400	18.2
7234AC	46234	170	310	52	4	1.5	82	235	290	1800	2400	18.2
B7234AC	146234	170	310	52	4	1.5	82	235	290	1800	2400	18.2
7234B	66234	170	310	52	4	1.5	127	200	245	1800	2400	18.2
7334B	66334	170	360	72	4	1.5	147	325	410	1500	2000	36
71936C	1036936	180	250	33	2	1	45	152	191	220	2800	4.5
71936AC	1046936	180	250	33	2	1	67	145	180	2200	2800	4.5
7036C	36136	180	280	46	2.1	1.1	54	218	261	2000	2600	11
7036AC	46136	180	280	46	2.1	1.1	77	207	276	2000	2600	11
7036B	66136	180	280	46	2.1	1.5	119	176	216	2000	2600	11
7236C	36236	180	320	52	4	1.5	59	250	320	1700	2200	19
7236AC	46236	180	320	52	4	1.5	84	240	300	1700	2200	19
7236B	66236	180	320	52	4	1.5	131	226	288	1700	2200	19
7336B	66336	180	380	75	4	2	156	334	441	1500	2000	44
71938C	1036938	190	260	33	2	1	47	155	200	2200	2800	4.5
71938AC	1046938	190	260	33	2	1	69	150	190	2200	2800	4.5
7038C	36138	190	290	46	2.1	1.1	55	225	270	2000	2600	11
7038AC	46138	190	290	46	2.1	1.1	79	215	260	2000	2600	11
7038B	66138	190	290	46	2.1	1.1	124	180	230	2000	2600	11
7238B	66238	190	340	55	4	1.5	139	250	320	1500	2000	22
7338B	66338	190	400	78	5	2	164	270	505	1400	1900	49



LUOYANG TEDIN BEARING CO., LTD.

Tel: 0086-136-63889399;

Email: jenny.zhao@tedin-bearing.com;

Homepage: www.tedin-bearing.com;

71940C	1036940	200	280	38	2.1	1	51	190	240	2000	2600	7.5
71940AC	1046940	200	280	38	2.1	1	75	180	225	2000	2600	7.5
7040C	36140	200	310	51	2.1	1.1	60	270	355	1800	2400	14.5
7040AC	46140	200	310	51	2.1	1.1	85	255	330	1800	2400	14.5
7240C	36240	200	360	58	4	1.5	66	280	370	1500	2000	27
7240AC	46240	200	360	58	4	1.5	94	270	350	1500	2000	27
7240B	66240	200	360	58	4	1.5	146	240	320	1500	2000	27
7340B	66340	200	420	80	5	2	170	405	590	1400	1800	53
71944C	1036944	220	300	68	2	1	47	200	270	1800	2400	8
71944AC	1046944	220	300	68	2	1	69	190	260	1800	2400	8
7044C	36144	220	340	56	3	1.1	66	305	410	1700	2200	19.56
7044AC	46144	220	340	56	3	1.1	94	290	400	1700	2200	19.5
7044B	66144	220	340	56	3	1.1	145	230	315	1700	2200	19.5
7244AC	46244	220	400	65	4	1.5	105	320	450	1400	1800	37.5
7244B	66244	220	400	65	4	1.5	164	290	420	1400	1800	37.5
7344B	66344	220	460	88	5	2	187	445	650	1200	1600	70
71948AC	1046948	240	320	38	2.1	1.1	84	195	270	1700	2200	9
7048C	36148	240	360	56	3	1.1	68	315	445	1500	2000	21
7048AC	46148	240	360	56	3	1.1	98	300	420	1500	2000	21
7048B	66148	240	360	56	3	1.1	154	235	340	1500	2000	21
7248B	66248	240	440	72	4	1.5	180	330	490	1200	1600	49
7348B	66348	240	500	95	5	2	203	430	605	1100	1400	88
71952AC	1046952	260	360	46	2.1	1.1	95	200	380	1400	1900	15
7252B	66252	260	480	80	5	2	195	460	710	1100	1400	66
71956AC	1046956	280	380	46	2.1	1.1	119	230	345	1400	1800	15.8
7056C	36156	280	420	65	4	1.5	74	355	550	2300	1700	30
7056B	66156	280	420	65	4	1.5	179	290	450	1300	1700	30
7256B	66256	280	500	80	5	2	204	470	770	1100	1400	70
7060B	66160	300	460	74	4	1.5	196	340	570	1100	1500	43
7260B	66260	300	540	85	5	2.1	219	500	840	1000	1300	87
7064B	66164	320	480	74	4	1.5	205	355	610	1100	1400	45
7264B	66264	320	580	92	5	2	236	565	1010	900	1200	110
71968B	1066968	340	460	56	9	1.1	196	270	480	1100	1400	27
7068B	66168	340	520	82	5	2	223	405	735	1000	2300	62
7268B	66268	340	620	92	6	3	248	635	1200	850	1100	125
71872AC	-	360	440	38	2.1	1.1	112	215	385	1100	1400	12



LUOYANG TEDIN BEARING CO., LTD.

Tel: 0086-136-63889399;

Email: jenny.zhao@tedin-bearing.com;

Homepage: www.tedin-bearing.com;

71972B	1066972	360	480	56	3	1.1	204	275	500	1100	1400	29
7072C	36172	360	540	82	5	2	101	450	950	1000	1300	63
7072B	66172	360	540	82	5	2	230	520	765	1000	1300	63
7272B	66272	360	6504	95	6	3	261	585	1125	700	950	145
71876AC	-	380	480	46	2.1	1.1	123	265	450	1000	1300	18
71976AC	1046976	380	520	65	4	1.5	137	370	665	1000	1300	43
71976B	1066976	380	520	65	4	1.5	221	320	630	1000	1300	43
72976AC	2046976	380	520	82	4	1.5	146	410	730	1000	1300	50
7076B	66176	380	560	82	5	2	238	425	795	900	1200	66
7080B	66180	400	600	90	5	2	255	475	920	850	1100	85
7280B	66280	400	720	103	6	3	287	660	1350	600	800	190
71984B	1066984	420	560	65	4	1.5	238	330	605	850	1100	45
7084B	66184	420	620	90	5	2	263	490	955	850	1100	89
7088B	66188	440	650	94	6	3	276	520	1065	750	1000	100
71992AC	1046992	460	620	74	4	1.5	163	460	940	750	1000	58
7092B	66192	460	680	100	6	3	289	560	1165	700	950	120
7096B	66196	480	700	100	6	3	298	565	1210	670	900	125
70/500B	661/500	500	720	100	6	3	306	575	1260	670	900	130
718/530AC	-	530	650	56	3	1.1	166	370	840	670	900	40
719/530AC	10469/530	530	710	82	5	2	186	560	1210	630	850	92
70/530B	661/530	530	780	112	6	3	332	670	1530	600	800	180
718/600AC	-	600	730	60	3	1.1	185	425	1040	600	800	47
719/600AC	10469/600	600	800	90	5	2	208	645	1560	560	750	125
718/670AC	-	670	820	69	4	1.5	208	500	1160	500	670	80
718/710AC	-	710	870	74	4	1.5	221	545	1470	480	630	94
719/710AC	10469/710	710	950	106	6	3	247	770	1980	450	600	195
718/750AC	-	750	920	78	5	2	234	585	1620	450	600	100